



# 4 Channel USB SS Relay Module

## User Guide

## Get in touch with us!

Please feel free to send a mail to one of the mail IDs below or use the Contact Us page at <http://www.numato.com> to drop us a quick message.

### Technical Help

Got technical questions? Please write to [help@numato.com](mailto:help@numato.com)

### Sales Team

Questions about making payments, volume discounts, academic/open source discounts, purchase orders and quotes? Please write to [sales@numato.com](mailto:sales@numato.com)

### Webmaster

Questions/Suggestions about our website? Please write to [webmaster@numato.com](mailto:webmaster@numato.com)



Like us on Facebook! <https://www.facebook.com/numato>

Visit our blog <http://www.numato.cc> for news, updates and specials.

### Mailing Address

Numato Systems Pvt Ltd  
1st Floor, #56C Wipro Avenue  
Phase 1 - Electronic City  
Bangalore, KA-560100, India

\* Mail orders, phone orders and direct pick up are not available at this time. Please visit our online store to place your order. Estimated shipping time to your address will be displayed in the shopping cart before checkout.



SOME RIGHTS RESERVED

You may use, modify or share this publication or part of thereof adhering to Creative Commons Attribution-ShareAlike 3.0 Unported (CC BY-SA 3.0) License.

See complete license text at <http://creativecommons.org/licenses/by-sa/3.0/>

All trademarks are property of their respective owners.

## Introduction

Numato Lab's 4 Channel USB Solid State Relay Module is a versatile product for controlling electrical and electronic devices remotely from a PC over USB link. Ease of use and wider operating system compatibility are the primary goals behind this product's design. Built in USB to serial conversion allows the module to be used without any USB specific knowledge. This simplicity allows use of off-the-shelf Terminal Emulation programs such as Hyper Terminal and PUTTY for controlling the module with a simple set of human readable commands. For power users, this module can be controlled by writing programs in various programming languages.

Some of the possible uses of this module include

- Home Automation
- Lighting Control
- Garden Equipment Control
- Industrial Automation
- Test Fixtures
- DIY and Hobby

This product is compatible with the following operating systems.

- Windows XP and later
- Linux
- Mac
- And any other operating system that supports USB CDC devices.

And these are some of the languages that can be used for programming.

- C/C++
- Visual Basic (VB6, VB2008, VB2010 express and other editions)
- Visual Basic for Applications (Microsoft Office VBA)
- Perl, Python
- JAVA
- And many more...

This module has four on board relays and associated drivers capable of controlling a large number of devices including lamps, motors, locks etc... (Please see recommendations for using this product with inductive loads elsewhere in this document). This module also includes General Purpose I/Os, and analog inputs (multiplexed with GPIO's) that can be accessed over USB interface for extended functionality. The module communicates with host PC over full speed USB link. When connected to PC, the module will appear as a serial port in Windows Device Manager (or a serial tty device in Linux and Mac).

## How to use the module

The following section describes how to use this module.

### Components/Tools required

Along with the module, you may need the items in the list below for easy and fast installation.

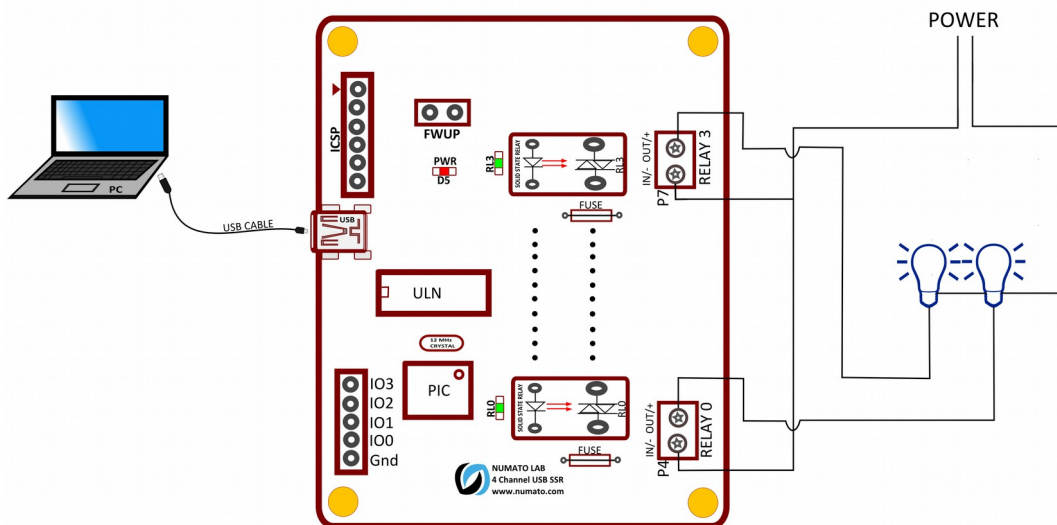
1. USB A to Mini B cable
2. Medium size screw driver

### Connection Details



**IMPORTANT** Please exercise utmost caution while working with electrical mains or other high voltages. Failure to comply with safety regulations may result in injury and or death. Solid State Relays are rated for either AC or DC load, not both at the same time. Trying to connect incorrect load/power type can cause permanent failure to this product or any attached devices and could cause other losses or injuries.

### Connection Diagram



Above image shows basic connection diagram that can be used in most of the situations. The connection diagram showed above is for AC load. Please make sure to use a freewheeling diode or snubber circuit if the load is inductive. More details about using inductive loads is available elsewhere in this document. Use a USB A to Mini B cable to connection with a PC.

It is important to make sure that the wires used to connect loads are sufficiently rated to handle expected load current. Exercise caution while working with high voltages. Short circuits can cause damage to the module and the PC. The following sections identify individual connections in detail.

## USB Interface

The on board full speed USB controller that helps a PC/Linux/Mac computer to communicate and control this module seamlessly. Use a USB A to Mini B cable to connect with a PC. By default, the logic section of the module is powered from USB so make sure not to overcrowd unpowered USB hubs(the picture on the right shows USB Mini B connector).



Visit <http://numato.com/cables-accessories> to buy cables and accessories for this product.

## Relay Contacts

This module has four Solid State Relay that can switch up to 3A current. All contacts on each relay is available externally on screw terminals for easy user access. The relays are rated for either AC or DC switching supply voltages. Please see the electrical parameter table for more details. Each relay has two contacts(**IN/-** and **OUT/+**). For AC Relay the contact will be established between **IN** and **OUT** contacts when the relay is turned on and will be disconnected when relay is turned off. For DC relay connect **+** to **OUT** and **-** to **IN**. Table below summarizes possible relay contact positions.



Relay State	Connection between IN/- and OUT/+
OFF	Open
ON	Close

## DC Power Supply

This module uses single power supply to function properly. **The board is configured to use +5V supply from USB by default.** Most USB ports are capable of providing enough current for the module.

## GPIO/Analog inputs



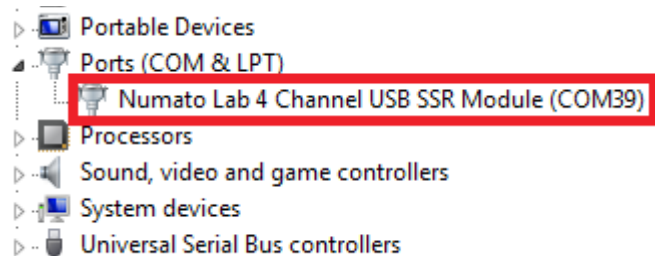
In addition to on-board relays, this product has four General Purpose IO pins that can be used for various custom applications. All of these pins can be used as Analog to Digital Converter inputs as well. All IO pins support 5V TTL signals and the ADC input range is 0 to +5V. The ADC can acquire analog signal at the resolution of 10 bits per sample. It is recommended to use a series resistor with the GPIO/ADC pins when interfacing with other circuits. In output mode, each GPIO can source up to 25mA. So no additional circuitry is needed to drive regular LED's. A 470 Ohms series resistor is recommended for current limiting when connecting LED to a GPIO. The table below summarizes the GPIO and Analog to Digital Converter input positions on the header.

GPIO	ADC
IO0	ADC0
IO1	ADC1
IO2	ADC2
IO3	ADC3
GND	GND

## Driver Installation

### Windows

This product requires a driver to be installed for proper functioning when used with Windows. The driver package can be downloaded from the product page. To install the driver, unzip the contents of the downloaded driver package to a folder. Attach USB cable to the PC and when asked by Windows device installation wizard, point to the folder where driver files are present. When driver installation is complete, the module should appear in Windows Device Manager as a serial port (see the picture on the right). Note down the name of the serial port (COM1, COM2 etc..). This information is required to control the module from the PC.



### Linux

To use this product with Linux, USB CDC driver needs to be compiled in with the kernel. Fortunately, **most Linux distributions (Ubuntu, Redhat, Debian etc..) has this driver pre-installed.** The chances of you requiring to rebuild the kernel to include the USB CDC driver is very slim. When connected to a Linux machine, this product should appear as a serial port in the /dev directory. Usually the name of the device will be “ttyACMx” or similar. The name may be different depending on the Linux distribution you have.

### Mac

Similar to Linux, Mac operating system comes with the required drivers pre-installed. When connected to a Mac computer, the device should appear as a serial port.

## Sending Commands

One of the most powerful features of this module is the simple easy to use command set it supports. This command set hides the complex USB protocol and gives a very simple interface to access the features of the module. The following sections give details of the command set and how to use the command set.

### The command set

This product supports a very simple command set that is designed to be less cryptic and easy to use manually (using serial terminal emulation programs) or through a program written in many supported languages.

List of currently supported commands.

No.	Command	Parameters	Example	Description
1	ver	None	ver	Returns firmware Version
2	id	get/set xxxxxxxx	Id get, id set 12345678	Reads/Sets id of the module
3	relay	on/off/read, relay number readall/writeall	relay on 0, relay off 0, relay read 0, relay readall relay writeall ff	Relay control
4	reset	None	reset	Reset relays to default state (all relays turned off)
5	adc	read, channel	adc read 0	Read Analog to Digital Converter input
6	gpio	set/clear/read, gpio number	gpio set 0, gpio clear 0, gpio read 0	Control General Purpose Input/Output

The table below has more detailed information about available commands.

No.	Command	Example	Description
1	ver	ver	Returns current firmware version.
2	id	id get id set xxxxxxxx	Id get reads the module ID. Id set will assign a new ID to the module. "x" stands for alphanumeric characters including symbols. The new ID must be exactly 8 characters in length.
3	relay	relay on x	Turns a particular relay on. The parameter "x" stands for the relay number. The relay number starts from zero. See some examples below. <i>relay on 0</i> – Turns on relay 0 <i>relay on 1</i> – Turns on relay 1
		relay off x	Turns a particular relay off. The parameter "x" stands for the relay number. The relay number starts from zero. See some examples below. <i>relay off 0</i> – Turns off relay 0 <i>relay off 1</i> – Turns off relay 1
		relay read x	Returns the status of a particular relay. The parameter "x" stands for the relay number. The relay number starts from zero. See some examples below. <i>relay read 0</i> – Returns status of relay 0 <i>relay read 1</i> – Returns status of relay 1



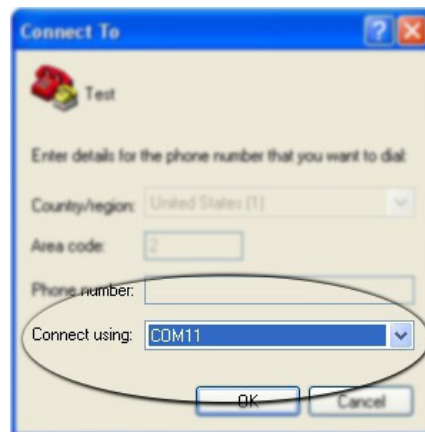
			The data returned in response to this command will be either “on” or “off” depending on the current status of the relay.
		relay readall	Reads the status of all relays in a single operation. The return value will a hexadecimal number with binary value 1 at bit positions for relays in ON state and 0 for relays in OFF state. Eg: a return value 00 (binary 0000 0000) means all relays are OFF. A value 0F(binary 0000 1111) means all relays are ON. <i>relay readall</i> – Returns status of all relays
		relay writeall xx	Control all relays in a single operation. A hexadecimal value must be specified with desired bit positions set to 0 or 1. A value 0 at a bit position will turn off the corresponding relay. A value 1 at a bit position will turn on the corresponding relay. <i>relay writeall 0f</i> – Turns on all relays
4	reset	reset	Resets all relays to off state which is the default state. GPIOs are not by affected by the command.
5	adc	adc read x	Reads the analog voltage present at the ADC input mentioned. “x” stands for the number of ADC input. The response will be a number that ranges from 0 – 1023. Please see examples below. <i>adc read 0</i> – Reads analog input 0 <i>adc read 2</i> – Reads analog input 2
6	gpio	gpio set x	Sets the GPIO output status to high. Here “x” is the number of the GPIO. Please see examples below. <i>gpio set 0</i> – Sets GPIO 0 to high state <i>gpio set 2</i> – Sets GPIO 2 to high state
		gpio clear x	Sets the GPIO output status to low. Here “x” is the number of the GPIO. Please see examples below. <i>gpio clear 0</i> – Sets GPIO 0 to low state <i>gpio clear 2</i> – Sets GPIO 2 to low state
		gpio read x	Reads the digital status present at the input mentioned. Here “x” stands for the number of GPIO. The response will be either “on” or “off” depending on the current digital state of the GPIO. Please see examples below. <i>gpio read 0</i> – Reads GPIO 0 status <i>gpio read 2</i> – Reads GPIO 2 status

## Controlling relays using Serial Terminal Emulator software

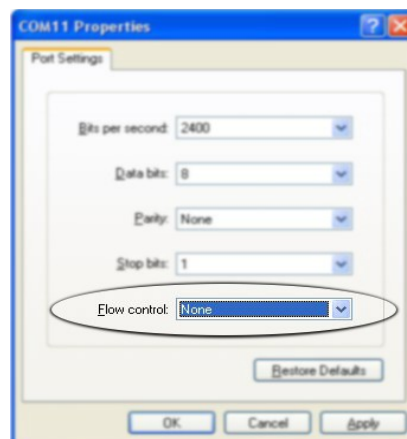
The simple set of ASCII based human readable command set supported by this module makes controlling relays easy with any off the shelf Serial Terminal Emulation program like Hyper Terminal or Teraterm. The most important thing to remember here is that since the module appears as a serial port in the operating system, treat it just like any serial device you may use. Since the underlying transport is USB not RS232, almost all settings such as baud rate, parity, number of stop bits can be left to the default values. Flow control needs to be set to “None”. The following sections give examples of how to use the module with Hyper Terminal and Teraterm.

Using this module with Hyper Terminal is very easy. Please follow the steps below.

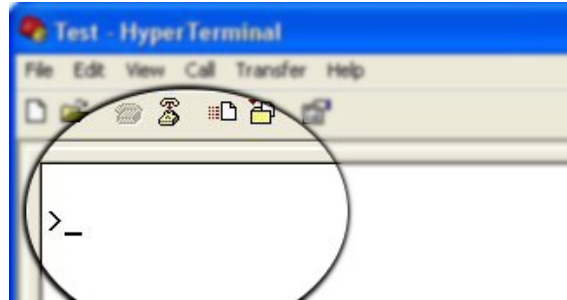
- Connect the module to the computer, install driver and note down the name of the new serial port that appears in the device manager.
- Open Hyper Terminal and select the serial port corresponding to the relay module. Click OK.



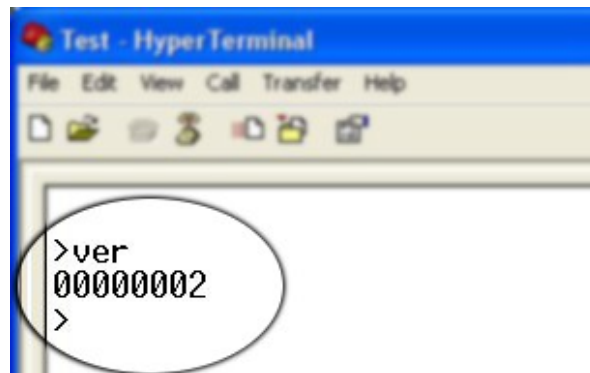
- A new window will pop up where the serial port settings can be changed. In this window, leave all settings to defaults except Flow Control which needs to be set to “None” and click OK.




- If everything goes well, you should be presented with a blank screen. Press ENTER key and the command prompt should appear. Commands listed in the table above can be entered here now.



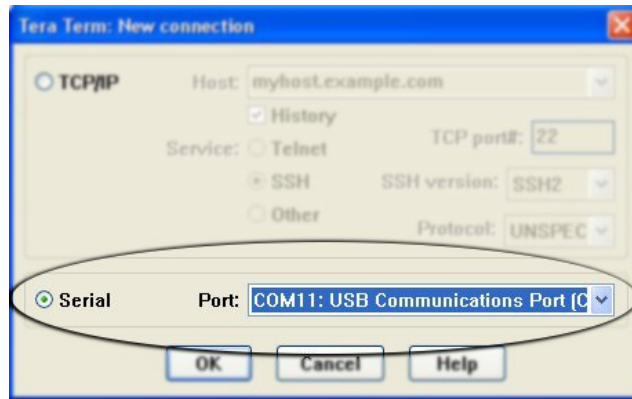
For example, here is the response for "ver" command.



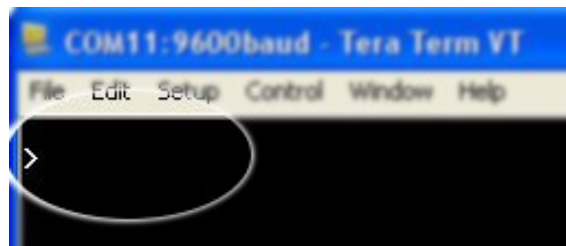
Using the relay module with TeraTerm is just as easy. Please follow the steps below.

 TeraTerm is an open source software. A free copy can be downloaded from <http://en.sourceforge.jp/projects/ttssh2/releases/>

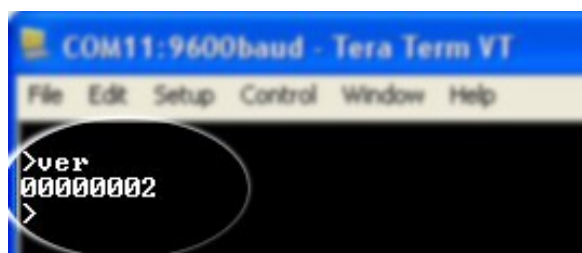
- Run TeraTerm application and select the port corresponding to the relay module in the “New connection” dialog and click OK.



- Press ENTER key on the main window and a command prompt should appear as in the image below.



- Enter the command at the command prompt. Example “ver” command and response is in the image below.



## Controlling the module using a custom program

This relay module can be controlled using custom programs written in many languages. Almost any language can be used as long as it supports some sort of serial communication method. Some of the supported languages include

- C/C++
- Visual Basic
- Visual Basic for Applications (Microsoft Office VBA)
- Perl
- Python
- JAVA
- And a lot more...

The APIs need to be used may be different depending on the target operating system even when the same language is used. For example when using C/C++ on Windows, Win32 Serial Communication APIs along with File IO APIs (CreateFile, ReadFile, WriteFile etc...) needs to be used (<http://msdn.microsoft.com/en-us/library/ff802693.aspx>). But when C/C++ is used on Linux operating system “termios” APIs can be used for serial communication. Please refer to your compiler/language documentation for more details about serial port communication.

Specific details of programming may vary depending on the language and operating system of choice. But the fundamental steps for writing a program to control the relay module can be more or less the same. Here is the list of steps that you may need to follow while writing your own program.

1. Open the serial port for communication.
2. Set port parameters. Most of the parameters can be left to defaults except Flow Control, which needs to be set to “none”.
3. To send a command to the module, use an API equivalent to write/writefile and pass the buffer/string containing the command. It is important to append Carriage Return (ASCII 13) to emulate the ENTER key.
4. If return data is expected (Eg: “ver” command), try to read the characters from the serial port input buffer. APIs equivalent to Read/ReadFile can be used to read data from the module. Please note that the return data will include the command itself (since the module echoes everything back), the result, carriage return and the “>” symbol.

Please visit the product page for available sample programs.

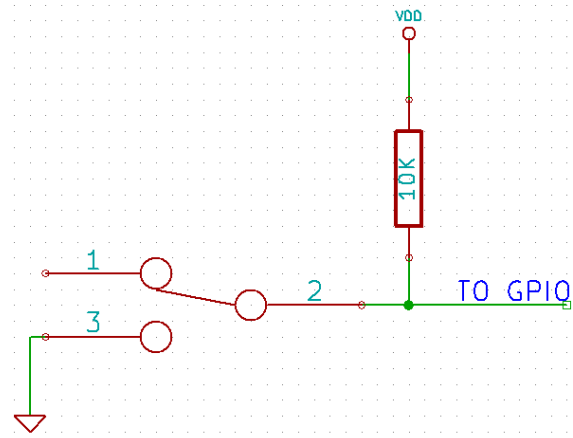
## Additional Information

### Analog to Digital Converter

Some products do support Analog to Digital Conversion on some of the IO terminals. A list of GPIO's that supports analog function in this product is listed elsewhere in this document. There is no special command is required to execute to switch between analog and digital mode. Executing “adc” command will set the GPIO to analog mode and executing “gpio” command will set the GPIO back to digital mode on the fly. Resolution of the ADC is 10 bits unless otherwise noted. The input voltage range of the ADC is 0 – VDD (this product uses 5V power supply, so the range will be 0 – 5V). The result will be returned as a number starting at zero and ending at 1023. Zero indicates zero volts at the ADC input and 1023 indicates VDD (5V for this product) at ADC input.

### Using GPIO's with switches

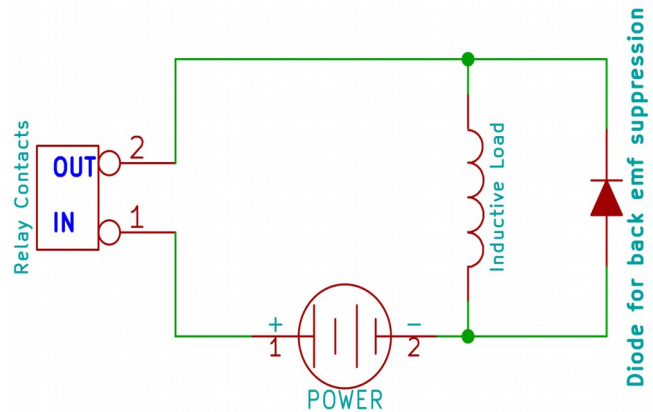
It is possible to read the position of a switch that is connected to a GPIO. A SPST or SPDT switch is recommended to use with GPIO's. Push switches do maintain the contacts closed only for a very short time so using them is discouraged. The fundamental idea of using a switch with GPIO is to have the switch cause a voltage level change at the GPIO pin when pressed. Usually this is achieved by using an external pull-up resistor along with the switch. The pull up resistor is connected between the GPIO and VDD and the switch is connected between the GPIO and ground. When the switch is not pressed, the pull-up resistor will cause the GPIO to stay at VDD voltage level. When the switch is pressed, the GPIO is short circuited to ground and stays at zero voltage. This change in voltage and thus the position of the switch can be read using “gpio read” command. Please see the recommended connection diagram below.



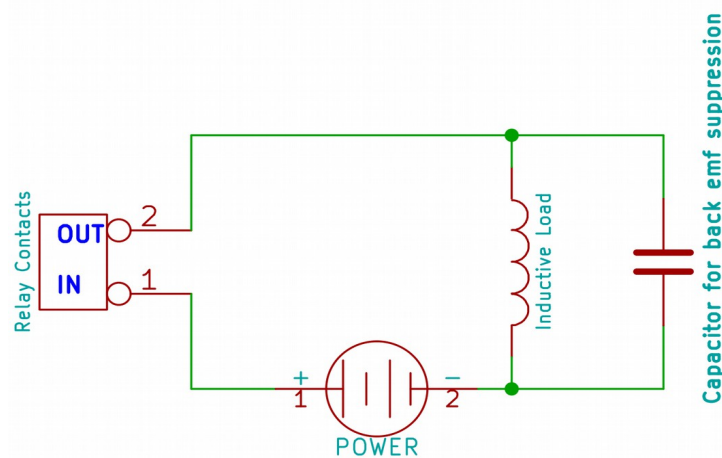
### Using relay modules with inductive loads

It is important to take additional care when using relays with inductive loads. An inductive load is pretty much anything that has a coil and works based on magnetic principles like Motors, Solenoids and transformers. Inductive loads produce back emf when the magnitude of the load current changes. The back emf can be in the order of tens or even hundreds of voltage (See this Wikipedia article [http://en.wikipedia.org/wiki/Counter-electromotive\\_force](http://en.wikipedia.org/wiki/Counter-electromotive_force)). This effect is most severe when power is disconnected from inductive load because the rate of change of current is maximum at that point. Even though the back emf lives only for a very short time (a few milliseconds) it can cause sparks between the relay contacts and can deteriorate the contact quality over time and reduce the life span for the relays considerably.

So it is important to take countermeasures to suppress the back emf to acceptable levels to protect relay contacts. Usually this requires connecting electronic devices in parallel with the load such that they absorb the high voltage components generated by the load. For solenoids, connecting a diode (fast switching diode is recommended) in parallel to the load (in reverse direction to the load current) is very effective. A diode used for this purpose is usually called a freewheeling diode. Please see the diagram on the right for connection details.



A capacitor with proper rating is recommended for protecting the relay contacts when a motor is used as load. The capacitor should be rated enough to withstand the back emf that is generated by the motor. Please see the diagram below for connection details.



Please note that the relay modules are **NOT** shipped with back emf suppression devices pre-installed. The exact kind of suppression device and the parameters of the selected device can vary depending on the load itself. Some of the parameters that affects the suppression device selection are the inductance of the load, power supply voltage, load current, physical size/structure of the load etc.. It is obvious that it is impossible for us to predict these parameters and design required back emf suppression device and incorporate that on the board. So we believe this is a task best left to the module user. There is an excellent article on designing back emf suppression on Wikipedia at [http://en.wikipedia.org/wiki/Flyback\\_diode](http://en.wikipedia.org/wiki/Flyback_diode)

## Technical Specifications

Parameter *	Value	Unit
<b>Basic Specifications</b>		
Number of relays	4	
Number of GPIO's	4	
Number of analog inputs (Multiplexed with GPIO's)	4	
Digital circuit power supply voltage (USB or external)	5	V
Maximum current drawn by digital circuitry	95	mA
<b>IO Specifications</b>		
Maximum IO source current	25	mA
Maximum IO sink current	25	mA
GPIO input low voltage	0.8	V
GPIO input high voltage	2	V
GPIO output low voltage	0	V
GPIO output high voltage	5	V
<b>ADC Specifications</b>		
Resolution	10	bits
Full scale range	0 – VDD	V
Reference voltage	VDD	V
Recommended Impedance of Analog Voltage Source	2.5	K $\Omega$
<b>Relay Specifications</b>		
Input signal voltage rating	5	V
Input current rating	5 – 12	mA
Operating frequency	47 – 70	Hz
Operating temperature	-30 – 100	°C
Storage Temperature	-30 – 125	°C
Maximum switching voltage	250VAC/ 100VDC <sup>1</sup>	V
Maximum switching current	3	A
Isolation Resistance	10	G $\Omega$



Isolation voltage input to output	4000	Vrms
Maximum switching on response time	8.3 /5 (AC/DC) <sup>1</sup>	mS
Maximum switching off response time	8.3 /2 (AC/DC) <sup>1</sup>	mS

\* All parameters considered nominal. Numato Systems Pvt Ltd reserve the right to modify products without notice.

\* <http://www.cosmo-ic.com/object/products/KSD203AC2.pdf>

\* <http://www.cosmo-ic.com/object/products/KSD203DC2.pdf>

1. AC and DC models available. Product does not support both AC and DC at the same time.

## FAQ

**Q.** What are the serial parameters I need to use when communicating with this board?

**A.** Since this module uses USB as the underlying transport mechanism, most of the serial parameters do not affect the communication. You can leave all parameters to any legal value (Eg: 2400, 4800, 9600 etc... for baud rate) except Flow control. Flow control needs to be set to “None”.

**Q.** Where do I find driver for this product?

**A.** Visit <http://numato.com> and navigate to the product page. There will be a link to download windows driver. Linux and Mac does not require driver installation since in most cases they are shipped with the driver pre-installed.

**Q.** I set a GPIO to a particular value (0/1) using “gpio set” command. When I read the same GPIO status later using “gpio read” command I receive a different value than that I set. What is happening?

**A.** The “gpio read” command does not read the last value set to the GPIO by the user. Rather, it reads the actual digital voltage present at the GPIO pin from an external source. This could be different from what you have set previously.

**Q.** The GPIO loses its previously set value when trying to read the status. Why it is so?

**A.** When a gpio is to output a value (high/low), that particular GPIO is put to output mode. When you are trying to read the GPIO, it needs to be put in input mode. In input mode, the GPIO will go to high impedance state and thus loses the previously set value.

**Q.** I'm using x language for programming. How do I find out if this language can be used to program and control the relay module?

**A.** Find out if the language of interest supports some kind of APIs/Functions/Components for serial communication. If it does, most likely you should be able to use that language with this module.

**Q.** What is the connector marked as ICSP on this module?

**A.** This connector is used to program the on-board microcontroller. This connector is primarily intended for factory use.

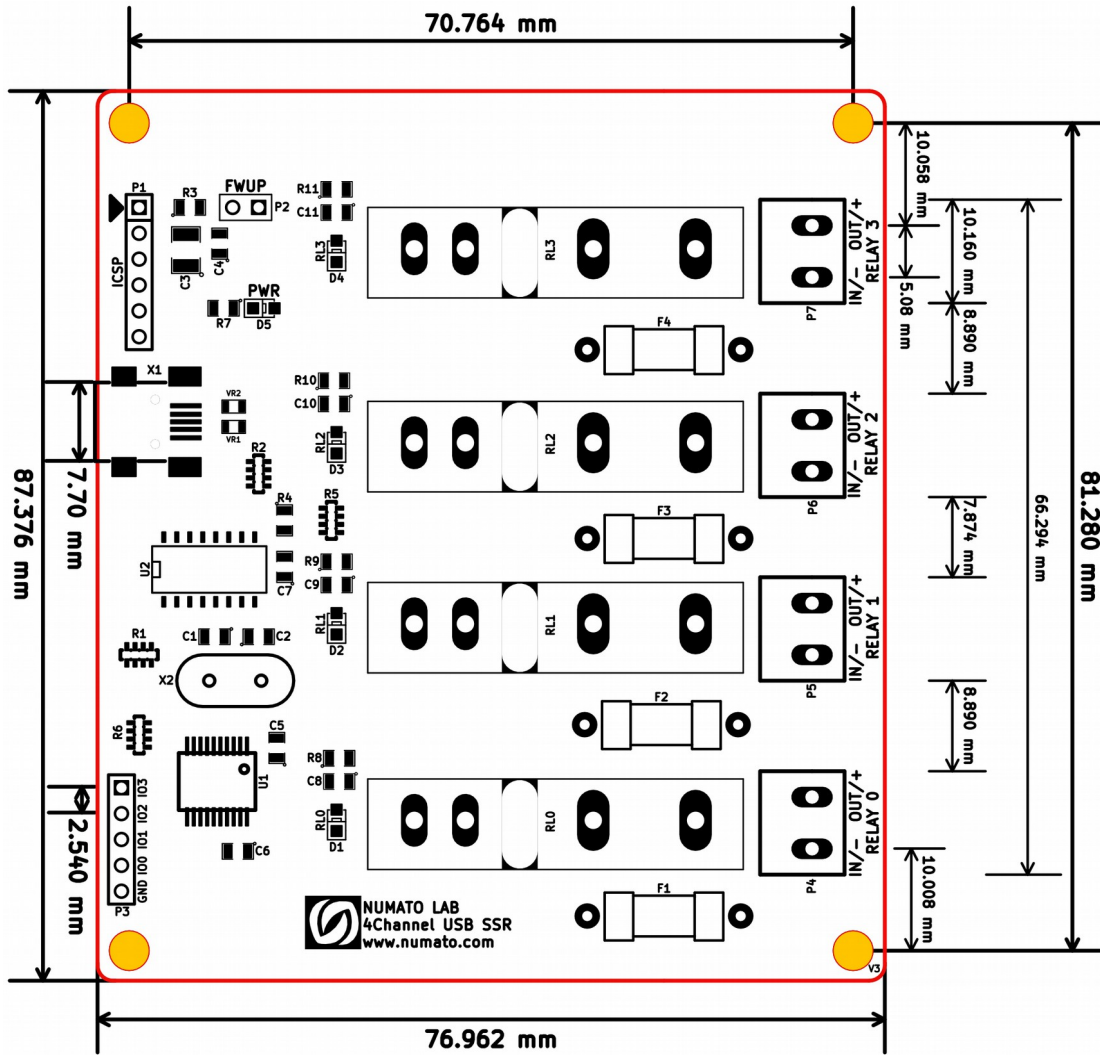
**Q.** I need a customized version of this product, can Numato do the customization for me?

**A.** Yes, we can definitely do customization but there may be minimum order requirements depending on the level of customization required. Please write to [sales@numato.com](mailto:sales@numato.com) for a quote.

**Q.** Where can I buy this product?

**A.** All Numato products can be ordered directly from our web store <http://www.numato.com>. We accept major credit cards and Paypal and ship to almost all countries with a few exceptions. We do have distributors in many countries where you can place your order. Please find the current list of distributors at <http://numato.com/distrib>.

## Physical Dimensions

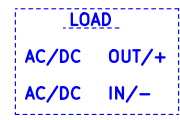
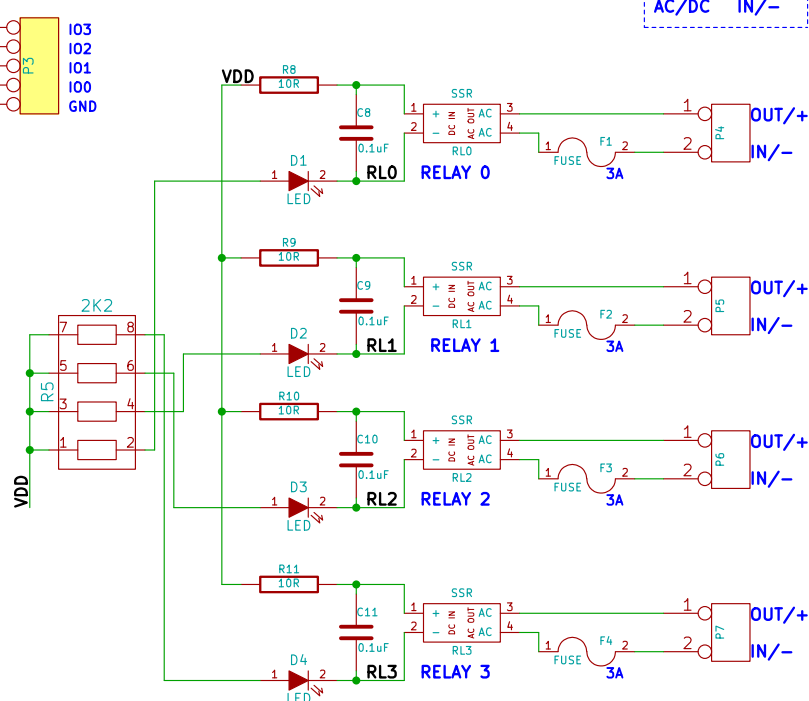
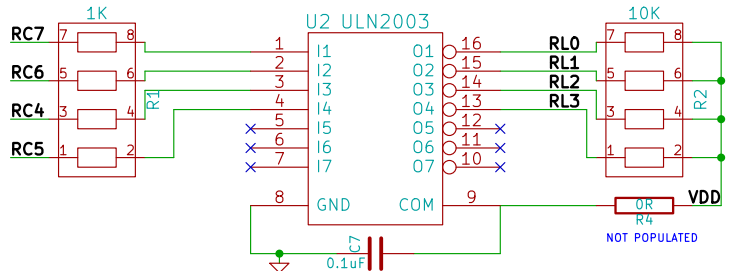
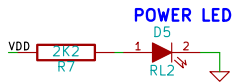
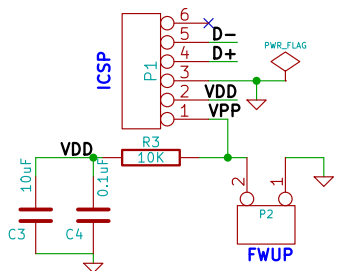
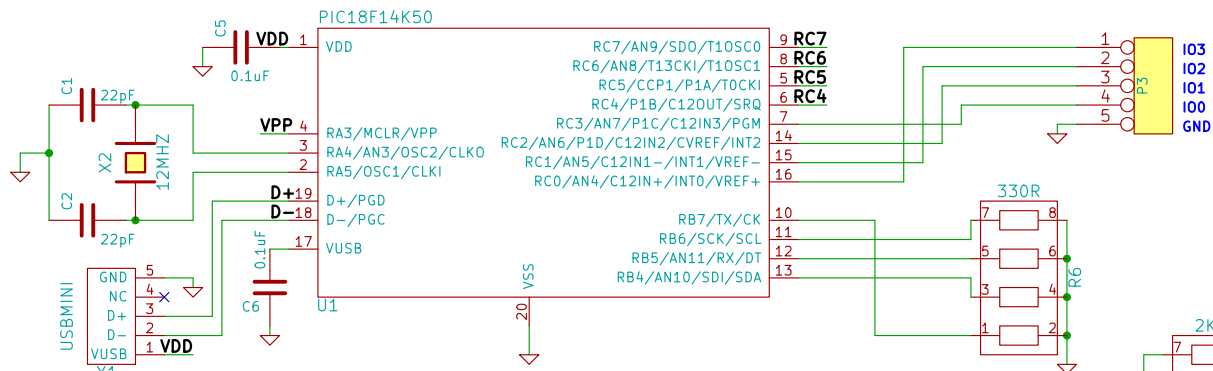


**L x W x H : 87.376 mm x 76.962 mm x 30 mm**

**Mechanical Hole Diameter : 4.0 mm**

## Schematics

See next page.



License : CC BY-SA  
<http://www.numato.com>  
 Numato Lab  
 File: 4ChannelUSBSSR.sch  
 Sheet: /  
 Title: 4 Channel USB Solid State Relay  
 Size: A4      Date: 23 apr 2015      Rev:  
 KiCad E.D.A.      Id: 1/1