

## MICRO SD Expansion Module User Guide

## Get in touch with us!

Please feel free to send a mail to one of the mail IDs below or use the Contact Us page at <http://www.numato.com> to drop us a quick message.

### Technical Help

Got technical questions? Please write to [help@numato.com](mailto:help@numato.com)

### Sales Team

Questions about making payments, volume discounts, academic/open source discounts, purchase orders and quotes? Please write to [sales@numato.com](mailto:sales@numato.com)

### Webmaster

Questions/Suggestions about our website? Please write to [webmaster@numato.com](mailto:webmaster@numato.com)



Like us on Facebook! <https://www.facebook.com/numato>

Visit our blog <http://www.numato.cc> for news, updates and specials.

### Mailing Address

Numato Systems Pvt Ltd  
1st Floor, #56C Wipro Avenue  
Phase 1 - Electronic City  
Bangalore, KA-560100, India

\* Mail orders, phone orders and direct pick up are not available at this time. Please visit our online store to place your order. Estimated shipping time to your address will be displayed in the shopping cart before checkout.



SOME RIGHTS RESERVED

You may use, modify or share this publication or part of thereof adhering to Creative Commons Attribution-ShareAlike 3.0 Unported (CC BY-SA 3.0) License.

See complete license text at <http://creativecommons.org/licenses/by-sa/3.0/>

All trademarks are property of their respective owners.

## Introduction

Micro SD Expansion Module provides an easy and convenient way to interface Micro SD card to Numato Lab's FPGA/Micro-controller boards. It can be connected to any FPGA/Micro-controller board featuring 2x6 pin Expansion connector. This module can be manually wired to FPGA/Micro-controller boards that does not have 2x6 expansion header.

### Applications

- Product Prototype Development
- Development and testing of custom Projects
- Audio playback device development
- Data logging

### Board features

- Micro SD card slot
- 2x6 pin expansion connectors
- Dimension: 19mm X 38mm

## How to use the module

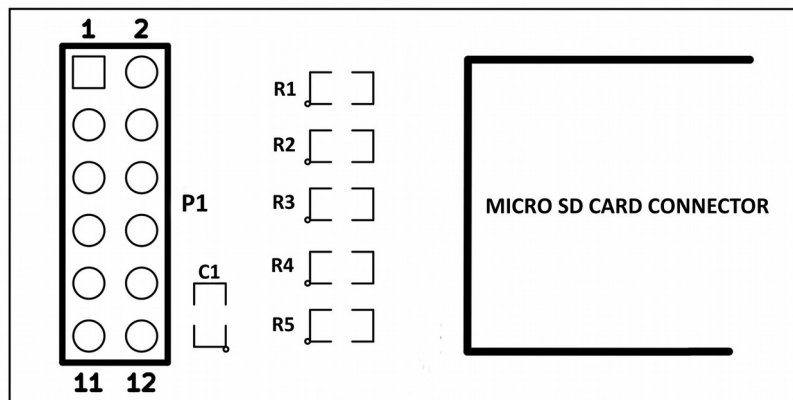
The following section describes how to use this module.

### Components/Tools required

Along with the module, you may need the items in the list below for easy and fast installation.

1. Any FPGA board featuring a 2x6 pin Expansion connector

### Connection Diagram



This diagram should be used as a reference only. For detailed information, see the schematics at the end of this document. Details of individual connectors are as below.

To use this module, directly attach the 2x6 expansion connector to the FPGA/Micro-controller development board where corresponding female header is available. If 2x6 female header is not available, manually make the connections as per the connection details below.

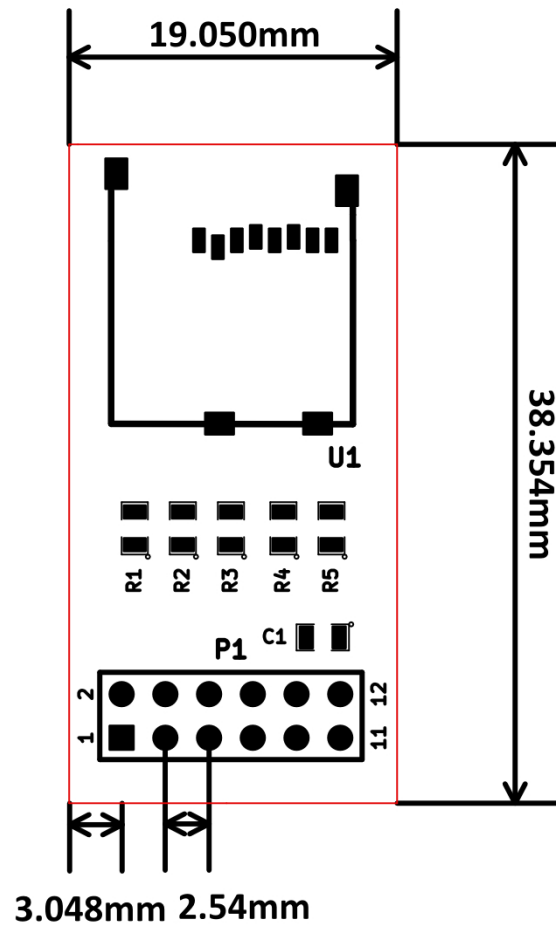
## Connection Details

### Header P1

Header Pin No.	Pin Details	
	SD MODE	SPI MODE
1	DAT3	CS
2	DAT2	-
3	CLK	SCLK
4	CMD	DI
5	DAT1	-
6	DAT0	DO
7	-	-
8	-	-
9	GND	GND
10	GND	GND
11	VCC3V3	VCC3V3
12	VCC3V3	VCC3V3

For more information, refer the schematics below.

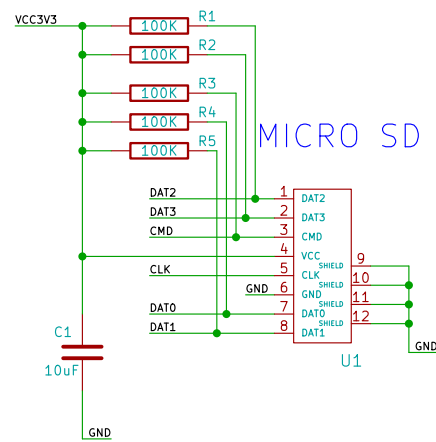
## Physical Dimensions



L x W x H : 38.354 mm x 19.050 mm x 9 mm

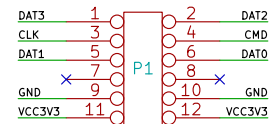
## Schematics

See next page



MICRO SD ADAPTOR

EXPANSION CONNECTOR



License: CC BY-SA			
http://www.numato.com			
Numato Lab			
File: MicroSDExpansionModule.sch			
Sheet: /			
Title: Micro SD Expansion Module			
Size: A4	Date: 17 mar 2014	Rev:	
KiCad E.D.A.		Id: 1/1	