

78XX Voltage Regulator Breakout User Guide

Get in touch with us!

Please feel free to send a mail to one of the mail IDs below or use the Contact Us page at <http://www.numato.com> to drop us a quick message.

Technical Help

Got technical questions? Please write to help@numato.com

Sales Team

Questions about making payments, volume discounts, academic/open source discounts, purchase orders and quotes? Please write to sales@numato.com

Webmaster

Questions/Suggestions about our website? Please write to webmaster@numato.com



Like us on Facebook! <https://www.facebook.com/numato>

Visit our blog <http://www.numato.cc> for news, updates and specials.

Mailing Address

Numato Systems Pvt Ltd
1st Floor, #56C Wipro Avenue
Phase 1 - Electronic City
Bangalore, KA-560100, India

* Mail orders, phone orders and direct pick up are not available at this time. Please visit our online store to place your order. Estimated shipping time to your address will be displayed in the shopping cart before checkout.



SOME RIGHTS RESERVED

You may use, modify or share this publication or part of thereof adhering to Creative Commons Attribution-ShareAlike 3.0 Unported (CC BY-SA 3.0) License.

See complete license text at <http://creativecommons.org/licenses/by-sa/3.0/>

All trademarks are property of their respective owners.

Introduction

Numato Lab's 78XX Voltage Regulator Breakout module is compact and easy to use 5V Voltage Regulator. Screw terminal is provided for input and output

Applications

- Home Automation.
- Lighting Control.
- Garden Equipment Control.
- Industrial Automation.
- Consumer Electronics.
- Networking/Server/Storage.
- Computer/Workstations and Desktops.
- Telecommunications Infrastructure.
- Product Prototype Development.

Board Features

- Input Voltage(VIN) 14V.
- Voltage Output(VOUT) 5V,6V,9V and 12V.
- Operating Temperature 0-70°C.

How to use the module

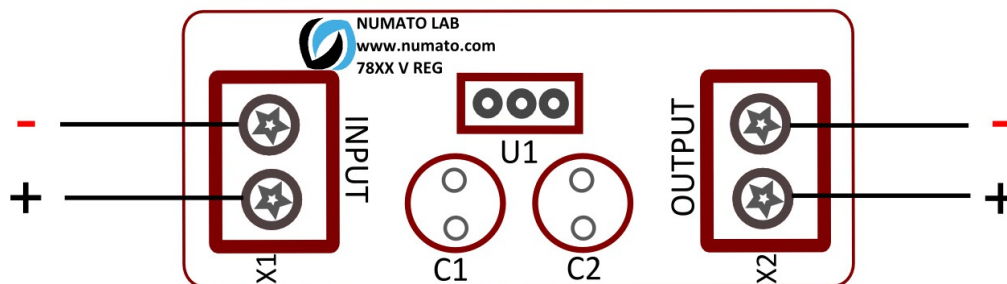
The following section describes how to use this module.

Components/Tools required

Along with the module, you may need the items in the list below for easy and fast installation.

1. 14V DC Power Supply.
2. Medium size Philips screw driver.

Connection Diagram



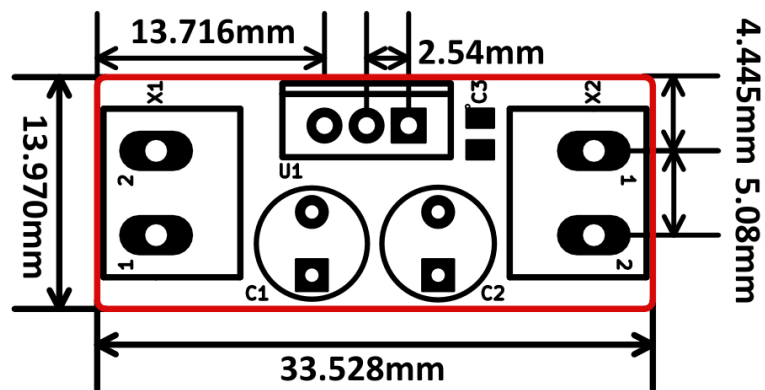
Above image shows basic connection diagram that can be used in most of the situations.

Technical Specifications

Parameter *		Value	Unit
IO Specifications			
Maximum input Voltage	7812	19	V
	7805,7806,7809	14	V
Maximum Output Voltage	7805	5	V
	7806	6	V
	7809	9	V
	7812	12	V
Maximum current Rating		1	A
Maximum Temperature		80	°C

* All parameters considered nominal. Numato Systems Pvt Ltd reserve the right to modify products without notice.

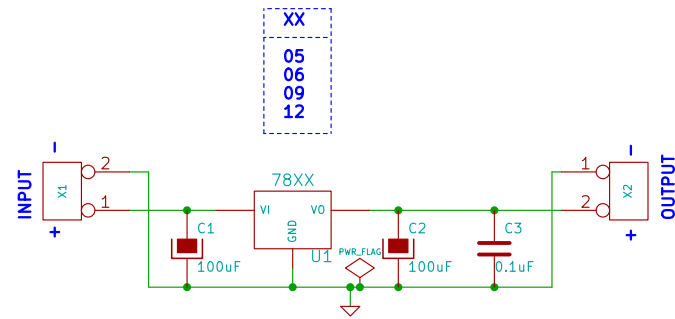
Physical Dimensions



Lx W x H :33.528mm x 13.970mm x 22mm

Schematics

See next page.



License : CC BY-SA	
http://www.numato.com	
Numato Lab	
File: 78XXVoltageRegulatorBreakout.sch	
Sheet: /	
Title: 7805/7806/7809/7812Breakout	
Size: A4	Date: 9 jul 2015
KiCad E.D.A.	Rev: Id: 1/1